

Adjustment/Maintenance

Adjust printing quality and conduct machine maintenance.

- Density Adjustment ...9-66
- Background Density Adj. ...9-67
- Drum Refresh ...9-67
- Correcting Black Lines ...9-68
- System Initialization ...9-68
- Display Brightness ...9-69
- Silent Mode ...9-69
- Auto Color Correction...9-69
- Color Registration...9-69
- Calibration Cycle...9-71
- Tone Curve Adjustment...9-72
- Calibration...9-72
- Developer Refresh...9-73
- Laser Scanner Cleaning...9-73
- First Print Position...9-73

NOTE: If user login administration is enabled, you can only change the settings by logging in with administrator privileges.

Density Adjustment

The density for all copying and the density for all sending and storing in document boxes can be made darker or lighter.

Use the procedures below to adjust the density.

Copy

- 1 Press the **System Menu** key.
- 2 Press [∨], [Adjustment/Maintenance] and then [Next] of *Density Adjustment*.
- 3 Press [Next] of *Copy*.
- 4 Press [-3] - [+3] (Lighter-Darker) to adjust density.
- 5 Press [OK].

Send/Box

- 1 Press the **System Menu** key.
- 2 Press [∨], [Adjustment/Maintenance] and then [Next] of *Density Adjustment*.
- 3 Press [Next] of *Send/Box*.
- 4 Press [-3] - [+3] (Lighter-Darker) to adjust density.
- 5 Press [OK].

Background Density Adj.

Adjust the density used when the background of documents is automatically adjusted.

Use the procedure below to set the Background Density Adj..

Copy (Auto)

- 1 Press the **System Menu** key.
- 2 Press [∨], [Adjustment/Maintenance] and then [Next] of *Background Density Adj.*
- 3 Press [Change] of *Copy (Auto)*.
- 4 Press [-3] - [+3] (Lighter-Darker) to adjust background density.
- 5 Press [OK].

Send/Box (Auto)

- 1 Press the **System Menu** key.
- 2 Press [∨], [Adjustment/Maintenance] and then [Next] of *Background Density Adj.*
- 3 Press [Change] of *Send/Box (Auto)*.
- 4 Press [-3] - [+3] (Lighter-Darker) to adjust background density.
- 5 Press [OK].

Drum Refresh

Refresh the drum when image blur or white spots appear on images in copies.

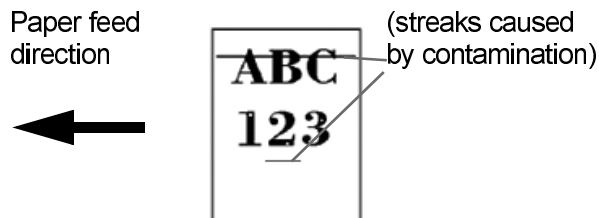
NOTE: Drum Refresh cannot be performed while printing. Execute Drum Refresh after the printing is done.

Use the procedure below to refresh the drum.

- 1 Press the **System Menu** key.
- 2 Press [∨], [Adjustment/Maintenance].
- 3 Press [Next] of *Drum Refresh*.
- 4 Press [Start] to perform Drum Refresh.
- 5 After Drum Refresh is completed, press [OK] to return to the *Adjustment/Maintenance* screen.

Correcting Black Lines

Correct fine lines (streaks caused by contamination), which may appear on the image, when the optional document processor is used.



The table below shows the available settings.

Item	Description
Off	No correction performed.
On(Low)	Correction performed.
On(High)	Select this item if a streak remains after using [On (Low)]. The reproduction of fine lines on the original may becomes lighter than when using [On (Low)].

Use the procedure below to specify the setting for correcting fine black lines.

- 1 Press the **System Menu** key.
- 2 Press [∨], [Adjustment/Maintenance] and then [Change] of *Correcting Black Line*.
- 3 Press [Off], [On(Low)] or [On(High)].
- 4 Press [OK].

System Initialization

Initialize the hard disk installed on the machine to return it to the factory defaults..

Refer to *System Initialization on page 9-91* about the initialization procedures.

Display Brightness

Set the brightness of the touch panel.

Use the procedure below to adjust the display brightness.

- 1 Press the **System Menu** key.
- 2 Press [∨], [Adjustment/Maintenance] and then [Change] of *Display Brightness*.
- 3 Press [1] - [4] (Darker- Lighter) to adjust brightness.
- 4 Press [OK].

Silent Mode

Make the machine run more quietly. Select this mode when the running noise is uncomfortable.

Use the procedure below to set Silent mode.

- 1 Press the **System Menu** key.
- 2 Press [∨], [Adjustment/Maintenance] and then [Change] of *Silent Mode*.
- 3 Press [Off] or [On].
- 4 Press [OK].

NOTE: When this setting is turned ON, the First Print Time specification is not satisfied.

Auto Color Correction

This setting allows you to adjust the detection level used by the machine to determine whether the original is color or black and white in Auto Color Selection Mode. Setting a lower value will result in more originals being identified as color, while a larger value will tend to increase the number of originals being identified as black and white.

Use the procedure below to set the Auto Color Detection Level.

- 1 Press the **System Menu** key.
- 2 Press [∨], [Adjustment/Maintenance], [∨] and then [Change] of *Auto Color Correction*.
- 3 Press one of keys [1] to [5] (Color - B & W) to set the detection level.
- 4 Press [OK].

Color Registration

When first installing the machine or moving it to a new location, color drift during printing may occur. Use this function to correct the color position of each of cyan, magenta and yellow to resolve color drift.

Auto registration and manual registration are available for Color Registration. Color drift can be largely corrected through auto registration. However, if it is not resolved or to perform more detailed settings, use the manual registration.

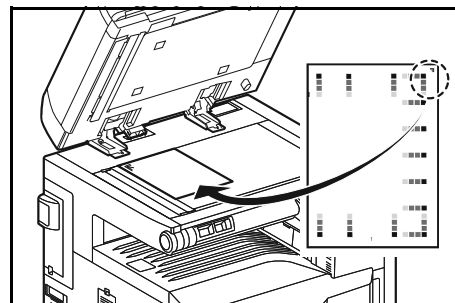
NOTE: To perform color registration, verify that either Letter or A4 paper is loaded into a cassette.

IMPORTANT: Before performing color registration, be sure to perform calibration (see page 9-72). If color drift remains, perform color registration. By performing color registration without performing calibration, the color drift will be resolved once, however, it may cause the serious color drift later.

Auto Correction

Follow the steps below to automatically correct color drift.

- 1 Press the **System Menu** key.
- 2 Press [✓], [Adjustment/Maintenance], [✓] and then [Next] of *Color Registration*.
- 3 Press [Next] in *Auto* > [Start]. A chart is printed.
- 4 As shown in the illustration, place the printed side down on the platen with the edge with the arrows toward the back.
- 5 Press [Start] to scan the chart.
- 6 When scanning is finished, color printing position correction starts.
- 7 When color printing position correction ends, press [OK].

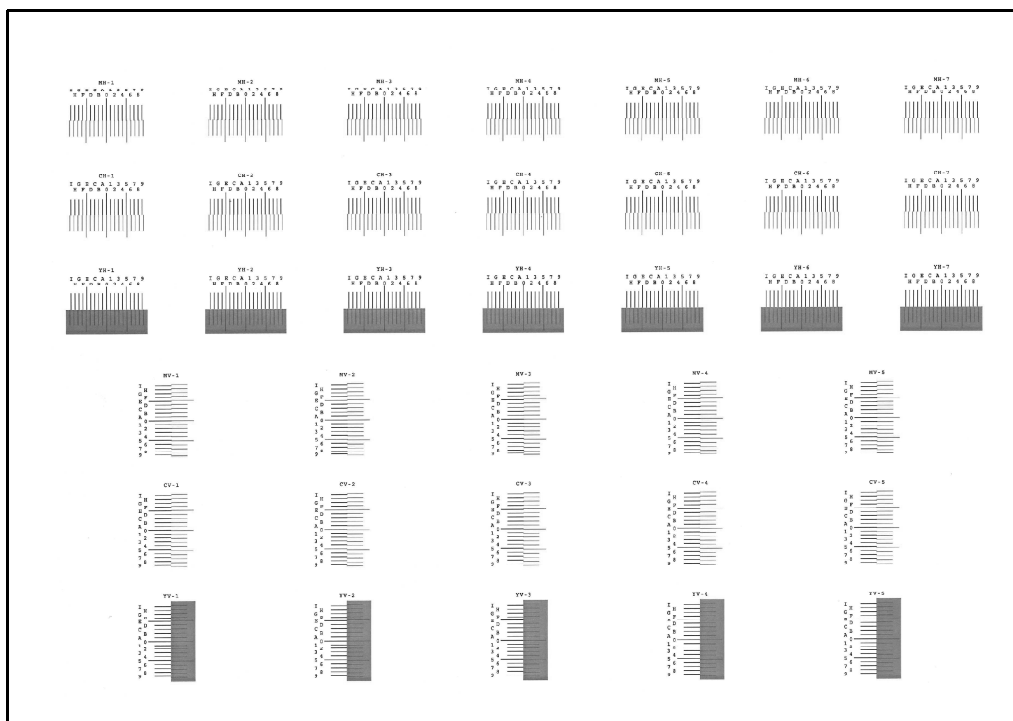


Manual Correction

To perform more detailed correction, follow the steps below.

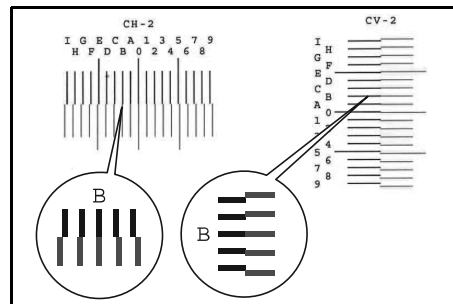
- 1 Display the *Color Registration* screen as explained in steps 1 and 2 of Auto Correction.
- 2 Press [Next] in *Manual*.
- 3 Press [Print] of *Chart*. A chart is printed.
On the chart, for each of **M** (magenta), **C** (cyan) and **Y** (yellow), charts for **H-1** to **7** and **V-1** to **5** are printed.

Chart Example



- Find the location on each chart where 2 lines most closely match. If this is the 0 position, registration for that color is not required. For the illustration, B is the appropriate value.

From charts **V-1** to **V-5**, read only the values from **V-3** (center).



- Press [Next] of *Registration*.
- Press [Change] for the chart to be corrected.
- Press [+] or [-] to enter the values read from the chart and press [OK].
Press [+] to increase the value from 0 to 9. To decrease, press [-].
By pressing [-], the value changes from 0 to alphabetic letters, going from A to I. To move in the reverse direction, press [+].
You cannot use the numeric keys to enter these values.
- Repeat steps 6 and 7 to enter the registration values for each chart.
- Press [Start] after all values have been entered. Color registration begins.
- Press [OK] after color registration is complete.

Calibration Cycle

After Auto Clear has been activated, or during printing or while processing Color Registration, *Calibration... Remaining: xx seconds* may be displayed. While this message is displayed, the machine makes adjustments to maintain image quality. Wait until the message disappears.

NOTE: If [Custom] appears in the setting items, the setting cannot be changed.

Set the calibration cycle here. The setting items are as follows.

Item	Description
Auto	Automatically sets the cycle for calibration.
Short	Sets a short calibration cycle and increases the number of times performed, with priority to image quality.
Standard	Sets a standard calibration cycle, compromising between image quality and downtime for processing.
Long	Sets a long calibration cycle and decreases the number of times performed, to ensure minimal downtime.

- Press the **System Menu** key.
- Press [√], [Adjustment/Maintenance], [√] and then [Change] of *Calibration Cycle*.
- Select [Auto], [Short], [Standard] or [Long].
- Press [OK].

Tone Curve Adjustment

After prolonged use, or from the effects of surrounding temperature or humidity, the hue of printed color output may shift or color drift may occur. Use this function to correct color settings when the color of a finished copy does not match the original. Perform calibration before using tone curve adjustment. Use tone curve adjustment when the color is not enhanced even after performing calibration (see page 9-72).

NOTE: To perform tone curve adjustment, verify that either Letter or A4 paper is loaded into a cassette.

A total of 3 pattern pages (No. 1 to 3) are printed during adjustment. The printed patterns are read sequentially during the adjustment.

Use the procedure below for normal adjustment.

- 1 Press the **System Menu** key.
- 2 Press [∨], [Adjustment/Maintenance], [∨] and then [Next] of *Tone Curve Adjustment*.
- 3 Press [Start]. A pattern is printed.

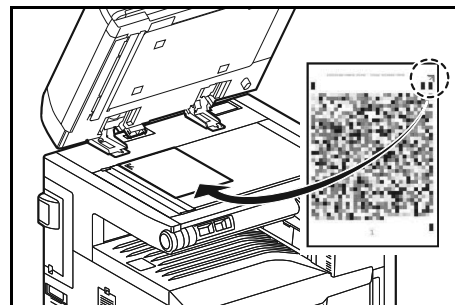
Check that the number "1" is printed at the bottom of the pattern.

- 4 As shown in the illustration, place the printed side down on the platen with the edge with the arrows toward the back.

- 5 Press [Start]. The pattern is read and adjustment begins.

The second pattern is output.

- 6 Check that the number "2" (to "3") is printed at the bottom of the pattern and repeat steps 4 to 6 twice to read patterns 2 and 3 in sequence.



- 7 Press [OK] in the adjustment end confirmation screen.

Calibration

After prolonged use, or from the effects of surrounding temperature or humidity, the hue of printed color output may shift or color drift may occur. Using this function enables printing in the most appropriate color by adjusting hue and color drift in detail. Use tone curve adjustment (see page 9-72) when the color is not enhanced even after performing calibration. If the hue and color are not enhanced, use color registration (see page 9-69).

- 1 Press the **System Menu** key.
- 2 Press [∨], [Adjustment/Maintenance], [∨] and then [Next] of *Calibration*.
- 3 Press [Start]. *Calibration* begins.
- 4 Press [OK] after *Calibration* is complete.

Developer Refresh

When the printing is too light or incomplete, even though there is enough toner, refresh the developer.

- 1 Press the **System Menu** key.
- 2 Press [∨], [Adjustment/Maintenance], [∨] and then [Next] of *Developer Refresh*.
- 3 Press [Start]. *Developer Refresh* begins.

NOTE: Waiting time may be longer when the toner is refilled during developer refresh.

- 4 Press [OK] after *Developer Refresh* is complete.

Laser Scanner Cleaning

If white or color streaks appear on images, perform Laser Scanner Cleaning.

- 1 Press the **System Menu** key.
- 2 Press [∨], [Adjustment/Maintenance], [∨] and then [Next] of *Laser Scanner Cleaning*.
- 3 Press [Start]. *Laser Scanner Cleaning* begins.
- 4 Press [OK] after *Laser Scanner Cleaning* is complete.

First Print Position

Using this function speeds up either of the first print time of black and white printing or color printing by changing the default start position of the first print. In addition, the machine can automatically detect the appropriate position depending on your usage.

Item	Description
Standard	Default of the first print time.
Black & White Priority	Speed up the first print time of black and white printing.
Color Priority	Speed up the first print time of color printing.
Auto	Automatically detects the appropriate position depending on your usage.

- 1 Press the **System Menu** key.
- 2 Press [∨], [Adjustment/Maintenance], [∨] and then [Change] of *First Print Position*.
- 3 Select [Standard], [Black & White Priority], [Color Priority] or [Auto].
- 4 Press [OK].